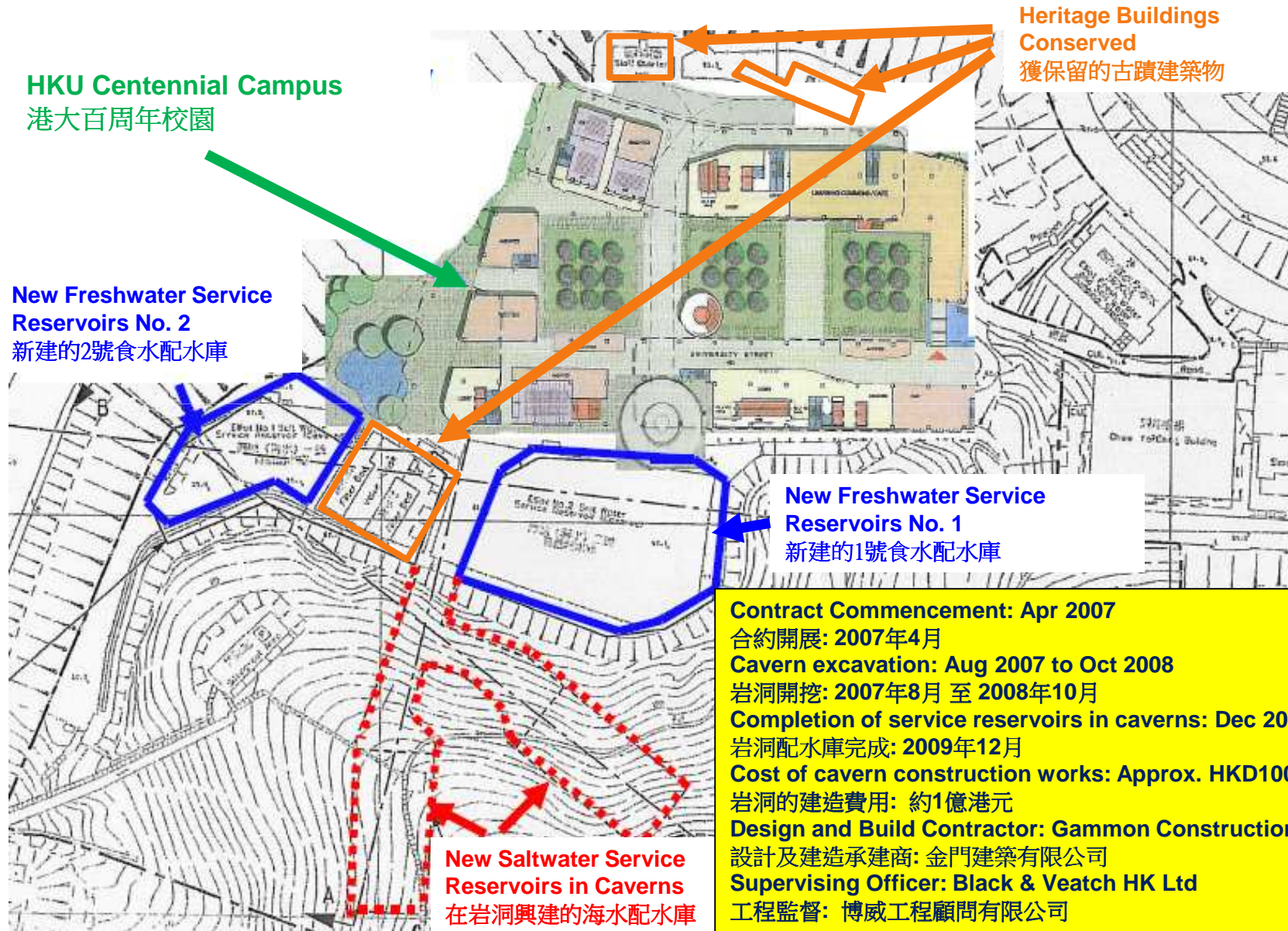


Re-Provisioning of WSD Facilities and Infrastructure Works for the HKU Centennial Campus

香港大學百周年校園水務署西區配水庫重置工程



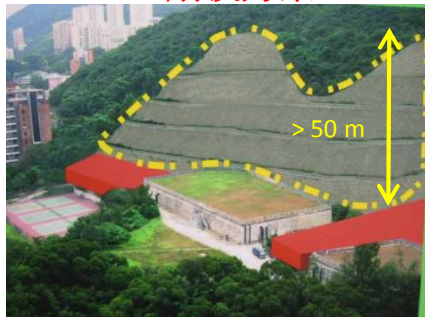
Benefits of the rock cavern scheme for the waterworks by HKU

香港大學為水務工程選用岩洞方案的優點

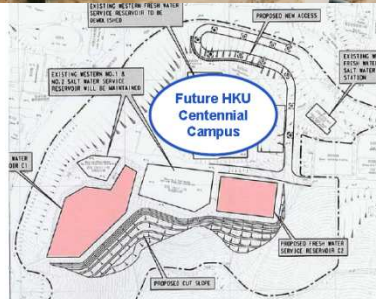
Minimise environmental, ecological and visual impacts

減低對環境、生態及景觀的影響

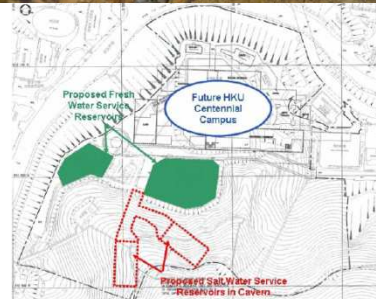
Open-cut Scheme
削坡方案



Rock Cavern Scheme
岩洞方案



Former Open-cut Scheme
Excavation > 280,000 m³



Proposed Cavern Scheme
Excavation < 40,000 m³

Minimise heritage impact
減低對古蹟的影響

Senior Staff Quarters
(Grade II)
西區抽水站及濾水廠高級職員宿舍(二級歷史建築物)



Workmen's Quarters (Grade III)
西區抽水站及濾水廠工人宿舍
(三級歷史建築物)



Elliot Treatment Works Building
(Grade III)
西區濾水廠房(三級歷史建築物)



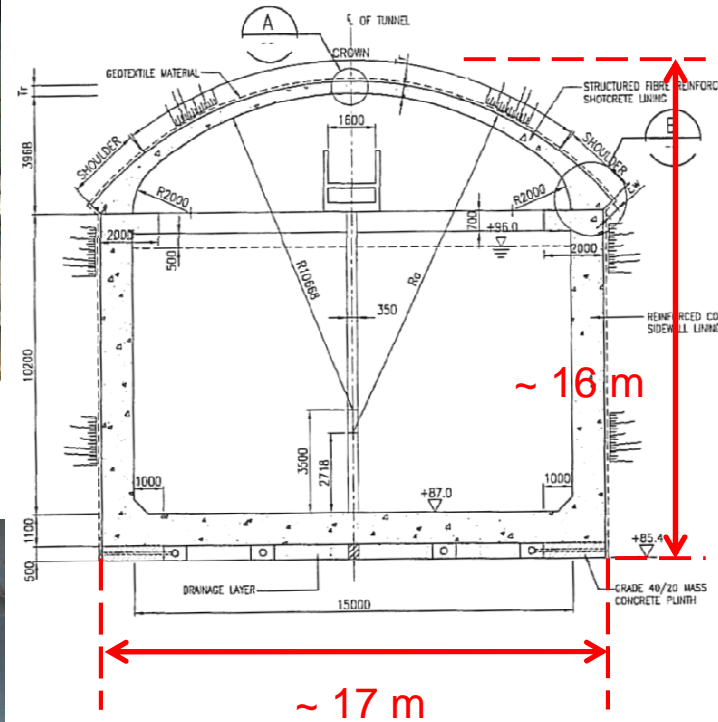
Save construction time
節省建築時間

The cavern construction works for re-provisioning of WSD Facilities

西區配水庫重置工程的岩洞工程



Cavern works by mechanical excavation
岩洞工程以機械挖掘方法施工



Construction works at the access tunnel to the two caverns
通往兩個岩洞的隧道通道的施工情況



Geological mapping of rock face
為岩面進行地質測繪



Cavern portal
岩洞入口



Completed service reservoir structure in rock cavern
岩洞內已完成的配水庫設施



Construction of service reservoir structure in rock cavern
在岩洞內建造配水庫設施